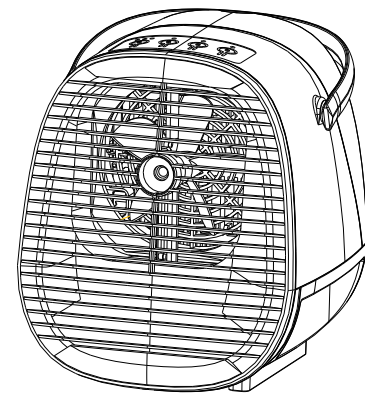


MINI COOLING FAN INSTRUCTION MANUAL



RBW-AC21A SERIES

MODEL	HUMIDIFIER
RBW-AC21A-1	●
RBW-AC21A-2	○



Colding

No polluting



Dustproof

Please carefully read this manual before attempting to use this evaporative air cooler and save it for future reference.

版本号	01	日期	20210401	图纸编号	
设计	罗思焯	修改人及日期		图纸名称	说明书 通用// RBW-AC21A//英文
审核		物料编码	114000245		
备注					
共 页第 页			广东顺德锐铂汇电子科技有限公司		

Warning

This product should not be used by these people: physically, sensory, or mentally impaired, or those with little experience (including children), unless they are supervised or instructed by a person responsible for their safety regarding the use of this product. Children should be supervised to ensure that they do not play with the product at will. The company will not be held responsible for any violation of the above actions.

If there is a problem with this product, please contact the service point provided by the seller. If the problem cannot be solved by the service point, please contact our company directly.

Thank you for purchasing the new desktop mini series products produced by our company. Before use, please read the instructions carefully to ensure the use and maintenance of your safety.

CATALOG

一 . Product feature	1
二 . Structure diagram	2
三 . Components list	2
四 . Technology specification	3
五 . Operation and use	3
六 . Precautions	4
七 . Maintenance and repair	4
八 . Circuit schematic	5

PRODUCT FEATURE

● Small size with physical cooling function

Small product but useful. The product have sponge self-absorption cooling design suitable for office, student dormitory, aim to bring the cooling for you in the hot summer.

● Optional function:Humidifier function

This product uses a microporous ultrasonic atomizing sheet to atomize the water. The temperature is low in winter and the air is very dry. The human skin evaporates quickly, and the lips skin is easy

to become rough and cracked. The air humidification technology adopted by this machine can quickly increase the relative humidity of the air and prevent skin cracking.

● Fresh the air by water, bring the fresh air

The unique air washing function can help to remove the large amount of formaldehyde, ammonia and other stimuli that volatilize from paint, adhesive, plywood, etc. in newly decorated rooms Sexual gas, blowing out clean air. The air washing device can filter and clean harmful substances such as nicotine contained in cigarette smoke to make the air clean, new and moisturizing, care for the health of the whole family

● Big water tank capacity

Don't need to add water frequently since the big water tank 1.2 Liter use for 24 hours.

● ABS material

Use the ABS material in the outer plastic to promise the quality of product.

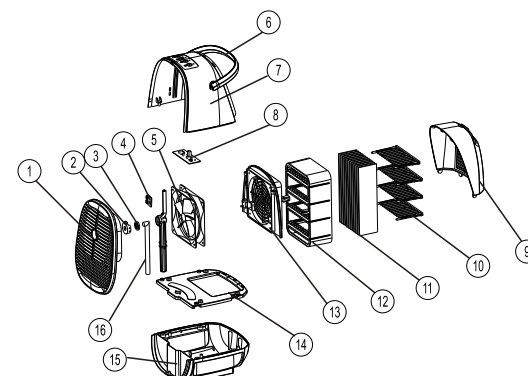
● Night light function

The product have night light

● Timer

After power on 24 hours later, Without any operation will auto 24 hours shut down.

STRUCTURE DIAGRAM



① Air outlet trim	⑤ DC fan	⑨ Posterior network	⑬ Fan holder
② Spray head gland	⑥ Handle	⑩ Wet curtain fixed piece	⑭ Water tank bracket
③ Spray film	⑦ Upper shell	⑪ Absorbent cotton	⑮ water tank
④ DC5V input port	⑧ Main power board	⑫ Wet curtain fixed frame	⑯ Absorbent core

COMPONENTS LIST

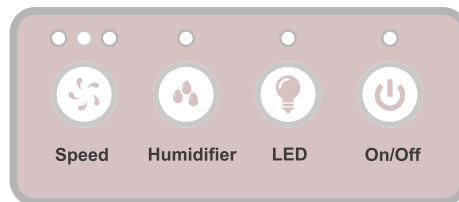
No.	Accessory Name	Quantity	Unit
1	Mini air cooler	1	set
2	Instruction manual	1	Pc
3	USB power cable	1	Pc

TECHNOLOGY SPECIFICATION

Model	RBW-AC21A-1 (With humidifier)	RBW-AC21A-2 (Without humidifier)
Voltage	DC5V	DC5V
Power	5.5W	5.5W
Rated current	2A	2A
Max airflow	2.5m/s	2.5m/s
Capacity	1.2L	1.2L
Dimension	200*200*220 (H) mm	200*200*220 (H) mm
Packing size	259*233*238 (H) mm	259*233*238 (H) mm
Carton Size(12pcs)	714*533*496 (H) mm	714*533*496 (H) mm
N.W/G.W	1.2Kg/1.35Kg	1.1Kg/1.25Kg

Remark: Due to constant development of our production in regards to specification and design, we take reservation for changes without prior notice.

OPERATION AND USE



1. Power on/off :

Press this button will start to work and flashing blue color, and LED function also flashing blue color in default. Press again all function will stop working.

2. LED :

LED key, When mini air cooler is power on, press the LED button to power on or power off. Press one time the LED will working and flashing blue color. Press one more time the function will power off and no color.

3. humidifier :

Press the humidifier function the button will flashing blue color and atomized film will start working. Press the button one more time, the function will stop working and no flashing. This function will count down and auto shut down after 4 hours with no operation.

4. Fan speed :

There is three speed L/M/H that you can choose when the product is power on. Will on the low speed in default. How many light flashing mean in the which speed. The fourth time you press will stop and no flashing, each time you press this button will cycle work in sequence.

5. Other function :

Without any key operation (except the humidification key), the whole machine will count down and shut down after 24 hours.

PRECAUTIONS

1. Do NOT open , wash and repair the unit by any unqualified and not professional person.
2. It is not allowed to operate the machine with wet hands, and it is not allowed to clean and wipe the machine with electricity, so as to avoid injury caused by electric shock. If you do not use the machine for a long time, please unplug the power plug, drain the water from the water tank and put it in a dry and cool place.
3. Please not insert anything in the air inlet and outlet since there is high speed fan, otherwise will make damage to machine or accident.
4. It is strictly forbidden to use this machine in an environment with flammable and explosive gas or inflammable materials.
5. This machine is suitable for indoor use, please do not use it outdoors, and avoid long-term direct sunlight.
6. It is strictly forbidden to tip over when using this machine so can prevent accidents. If the machine falls over accidentally, please unplug the power supply first and then resume use after the spare parts are completely dry
7. Do not place any flowing liquid on the top of the machine, and do not cover the air inlet and outlet
8. Please do not place the inlet and outlet of this product close to walls, curtains and other objects, otherwise it may block the air flow and affect the air
9. Please not use this machine with programmer products, timers or other devices that can automatically power on
10. This product cannot be used near wet environments such as bathrooms, swimming pools, and sprinklers.
11. Please pay more attention the water in the water tank. Change the water in time in case bad smell in water. In winter please use the warm water if the temperature under zero.
12. When the machine has not been used for a long time, it is necessary to clean the water tank and dry the absorbent sponge before storing the whole machine.
13. If the components are damaged, please replace the company's special parts

MAINTENANCE AND REPAIR

Please check following before maintain :

Problems	Possible reasons	Solutions
There is no shake take the plug into the socket	1. The plug is not securely inserted into the socket or not connected well.	1. Insert the plug pin into the wall socket and make . sure it is connected well. 2. Make the product flat

CIRCUIT SCHEMATIC

